

SPECIFICATION OF ROBOT

KF121JFE27

KF121JGE27

KF121JTE27

KF121JVE27

2nd Edition : Dec.24.2009

KAWASAKI HEAVY INDUSTRIES LTD.

ROBOT DIV.

Doc.No : 90101-1844DEB

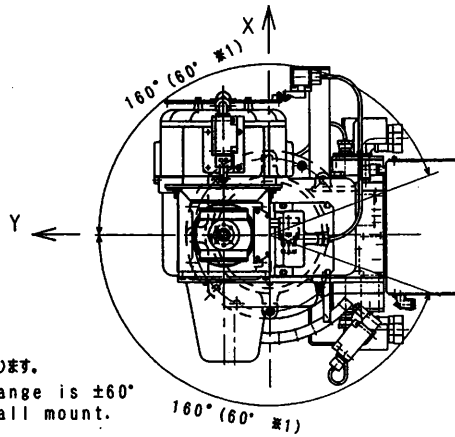
1. Specification of Robot (Floor and Ceiling mounted)

[1] Robot Arm			
1. Model	KF121J-D		
2. Type	Articulated Robot		
3. Degree of Freedom	6		
4. Motion Range & Max. Speed	Operating Axis		Motion Range
	Arm Rotation (JT1)		$\pm 160^\circ$
	Arm Out-in (JT2)		$+90 \sim -90^\circ$
	Arm Up-down (JT3)		$+150 \sim -150^\circ$
	Wrist Swivel (JT4)		$\pm 270^\circ$
	Wrist Bend (JT5)		$\pm 145^\circ$
	Wrist Twist (JT6)		$\pm 360^\circ$
5. Repeatability	± 0.2 mm (at the tool mounting surface)		
6. Max. Payload	5 kg		
7. Max. Linear Speed	5000 mm/s (at the tool mounting surface) (Maximum Linear Interpolation Speed : 1500 mm/s)		
8. Load Capacity of Wrist		Max. torque	Moment of inertia*
	JT4	7.8 N·m	0.17 kg·m ²
	JT5	7.8 N·m	0.17 kg·m ²
	JT6	2.9 N·m	0.06 kg·m ²
<p>Note* Each value in this table shows allowable payload moment of inertia of JT4/JT5/JT6 when max. allowed torque is applied to each axis. If more detailed data is required for your application, please contact Kawasaki.</p>			
9. Driving Motor	Brushless AC Servomotor		
10. Working Envelope	Refer to Fig.1		
11. Mass	140 kg (excluding options)		
12. Color	White (Munsell:10GY9/1 equivalent)		
13. Installation	Floor and Ceiling mounted		
14. Environmental Condition	(Temperature) 0-40 °C (Humidity) 35-85 % No dew, nor frost allowed		
15. Explosion Proof	Pressurized and Intrinsically Safe		
16. Air Supply to the Robot	Clean & dry air: 0.3 Nm ³ /min, 0.3-0.7 MPa Dew point: -17 °C or less at atmospheric pressure.		
17. Option	Installation Base	Robot Pedestal 600 mm / 300 mm Base Plate (750 mm x 750 mm)	
	Mechanical Stopper JT1		
Consult as about Maintenance Parts and Spare Parts.			

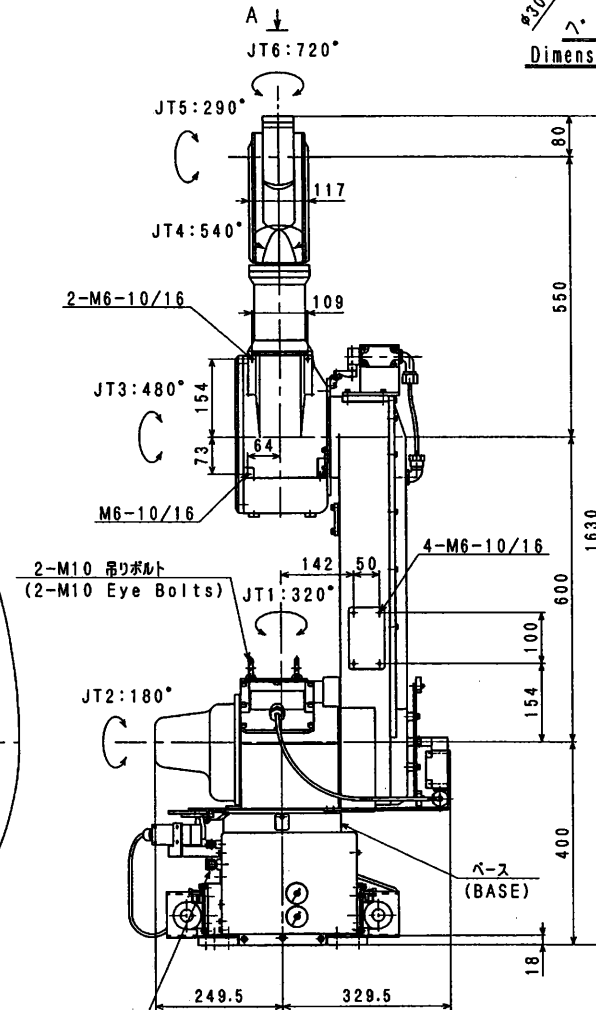
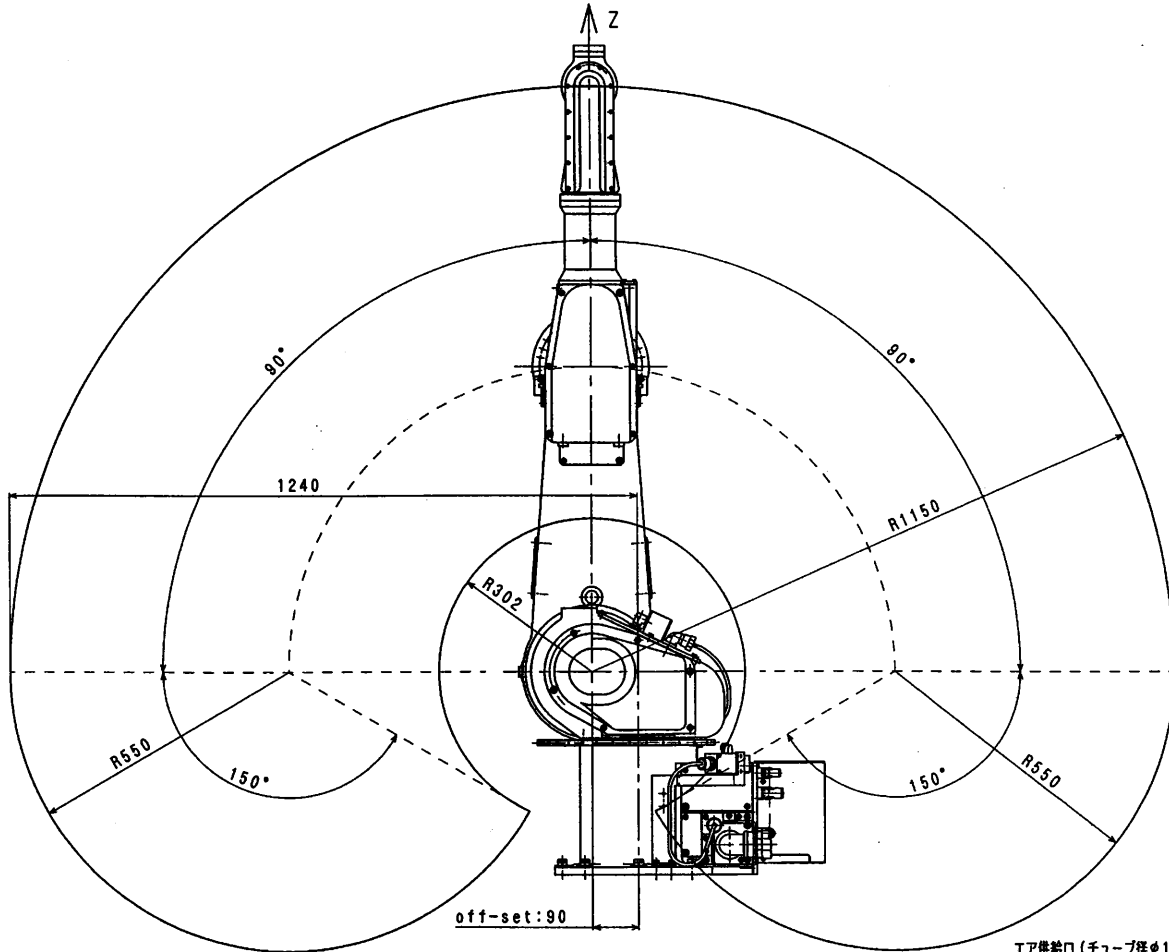
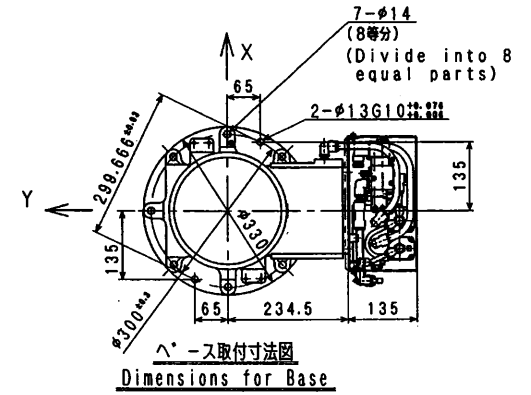
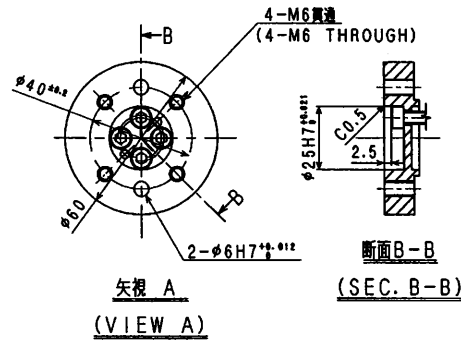
1. Specification of Robot (Wall mounted)

[1] Robot Arm			
1. Model	KF121J-E		
2. Type	Articulated Robot		
3. Degree of Freedom	6		
4. Motion Range & Max. Speed	Operating Axis	Motion Range	Max. Speed
	Arm Rotation (JT1)	$\pm 60^\circ$	120 °/s
	Arm Out-in (JT2)	$+90 \sim -90^\circ$	120 °/s
	Arm Up-down (JT3)	$+150 \sim -150^\circ$	240 °/s
	Wrist Swivel (JT4)	$\pm 270^\circ$	430 °/s
	Wrist Bend (JT5)	$\pm 145^\circ$	430 °/s
	Wrist Twist (JT6)	$\pm 360^\circ$	720 °/s
5. Repeatability	± 0.2 mm (at the tool mounting surface)		
6. Max. Payload	5 kg		
7. Max. Linear Speed	3600 mm/s (at the tool mounting surface) (Maximum Linear Interpolation Speed : 1500 mm/s)		
8. Load Capacity of Wrist		Max. torque	Moment of inertia*
	JT4	7.8 N·m	0.17 kg·m ²
	JT5	7.8 N·m	0.17 kg·m ²
	JT6	2.9 N·m	0.06 kg·m ²
<p>Note* Each value in this table shows allowable payload moment of inertia of JT4/JT5/JT6 when max. allowed torque is applied to each axis. If more detailed data is required for your application, please contact Kawasaki.</p>			
9. Driving Motor	Brushless AC Servomotor		
10. Working Envelope	Refer to Fig.1		
11. Mass	140 kg (excluding options)		
12. Color	White (Munsell:10GY9/1 equivalent)		
13. Installation	Wall mounted		
14. Environmental Condition	(Temperature) 0-40 °C (Humidity) 35-85 % No dew, nor frost allowed		
15. Explosion Proof	Pressurized and Intrinsically Safe		
16. Air Supply to the Robot	Clean & dry air: 0.3 Nm ³ /min, 0.3-0.7 MPa Dew point: -17 °C or less at atmospheric pressure.		
17. Option	Installation Base	Base Plate (750 mm x 750 mm)	
	Mechanical Stopper JT1		
Consult as about Maintenance Parts and Spare Parts.			

[2] Controller		
1. Model	E25/E27	
2. Construction	Self-supported type	
3. Dimensions	See attached drawing	
4. Number of controlled axes	6 axes 7/8/9 axes(built-in addition, option)	
5. Servo control and drive system	Full Digital Servo System	
6. Type of control	Teach mode	Joint, Base, Tool, Fixed Tool (option) operation mode
	Repeat mode	PTP, CP control mode Joint, Linear, Circular (option) interpolation
7. Teaching method	Teaching or AS language programming	
8. Memory capacity	8 MB	
9. External operation signals	External Motor Power Off, External Hold, etc.	
10. General purpose signals	Input signals	32 channels (Includes dedicated signals)
	Output signals	32 channels (Includes dedicated signals)
11. Operation panel	Basic Operation Switches (Teach/Repeat SW, Emergency Stop SW, Control power lamp)	
12. Cable length	Power/Signal cable in non hazardous area	3 m
	Power/Signal cable in hazardous area	3 m
	Teach Pendant cable	10 m
13. Mass	See attached drawing	
14. Power requirement	AC200 V - AC220 V±10%, 50/60 Hz, 3 phases, Max 5.6 kVA(E27), Max 10 kVA(E25)	
15. Ground	Less than 10 Ω (for Explosion proof) ,Less than 100 Ω (robot dedicated ground) Leakage current: max. 100 mA	
16. Ambient temperature	0 - 45 °C	
17. Relative humidity	35 - 85 % (non-condensation)	
18. Color	Munsell: 10GY9/1 equivalent	
19. Teach Pendant	Intrinsically safe construction, Color display (7.2 inch LCD) with touch panel Emergency Stop,Teach Lock and Deadman Switches	
20. Options		
General purpose signals	Input signals	64/96/128 channels (Includes dedicated signals)
	Output signals	64/96/128 channels (Includes dedicated signals)
I/O connector	D-SUB 37pin(male,female) with cover	
Operation panel	Motor Power ON, Cycle start, RUN/HOLD, Error reset, Error lamp	
Power/Signal cable	in non hazardous area 5,7,10,15,20,25,30m	} Total length: max. 40 m
	in hazardous area 1,5,7,10,15m	
Teach Pendant cable	5m, 15m, 20m, 25m	} Total length: max. 50 m
Teach pendant Connector Box	in non hazardous area 3,5,7,10,15,20,25,30m in hazardous area 1,3,5,7,10,15,20,25,30m	
Auxiliary storage	USB memory	
Brake release	Brake release switch	
AC Outlet	AC100V Outlet	
PC cable	1.5 m, 3 m	
Teach Pendant option	Cable hook, connector for TP less	
Others	Cooler, LED Light, Field BUS, Software PLC, Analog input/output, Conveyor Synchronization, Paint Equipment Control and so on	
21. Others	Consult Kawasaki about maintenance parts and spare parts.	



※1. 壁掛け仕様は±60°となります。
JT1 motion range is ±60°
in case of wall mount.

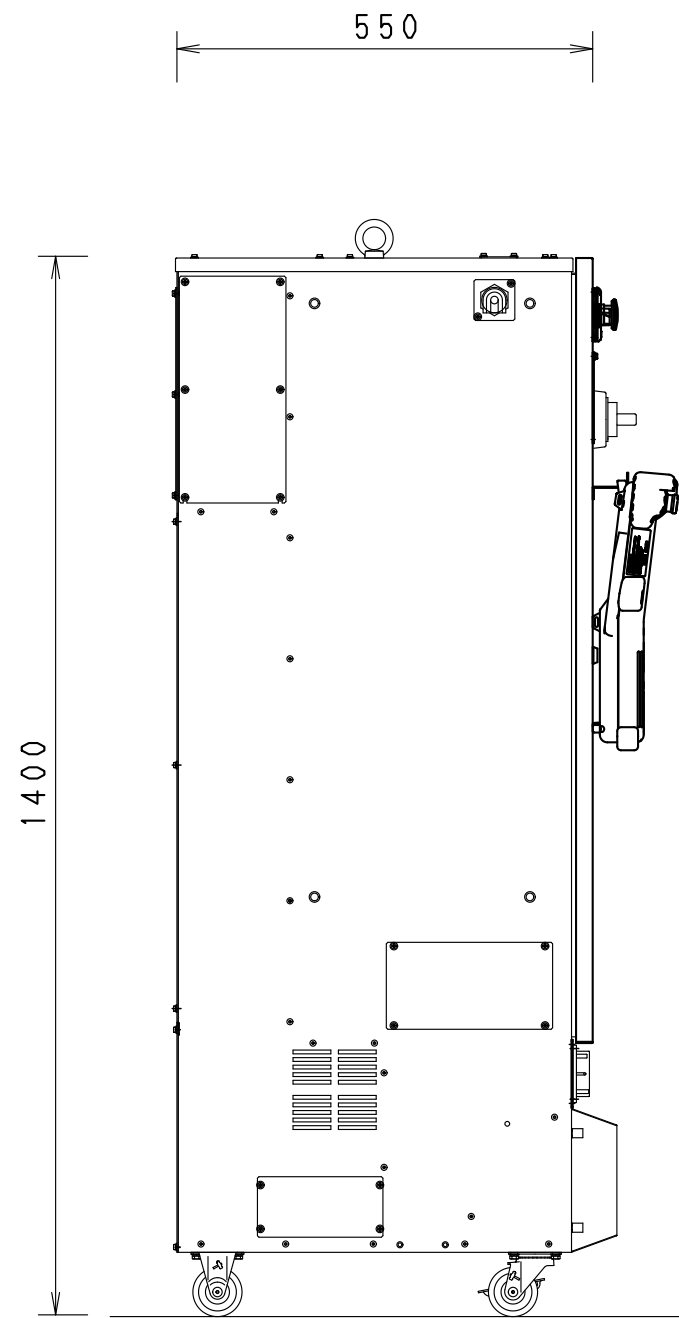


エア供給口 (チューブ径φ12)
Purging air inlet port
(Tube diameter φ12)

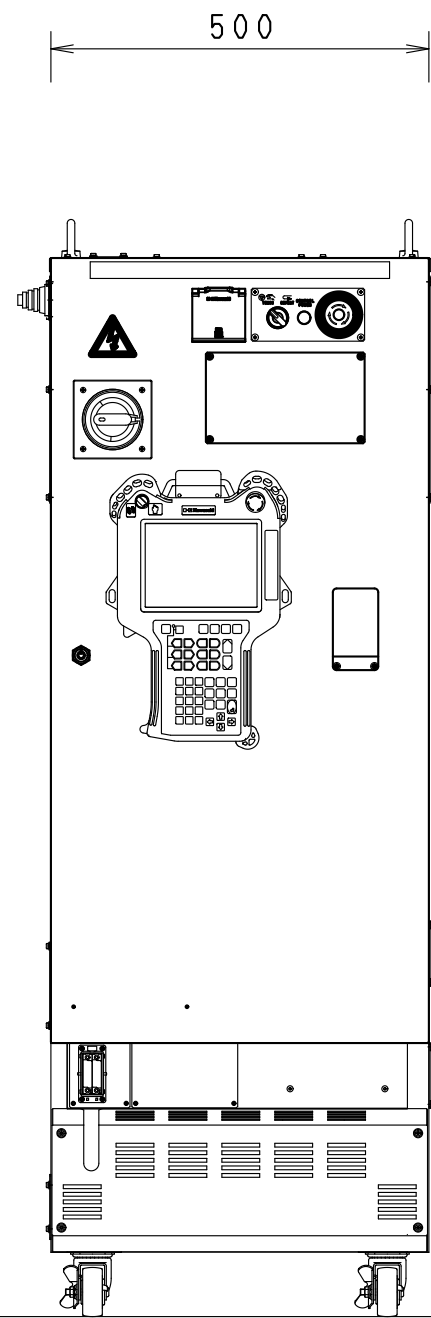
添付図1 (Fig. 1)
KF121J
全体動作図
MOVEMENT & DIMENSIONS

E27 CONTROLLER

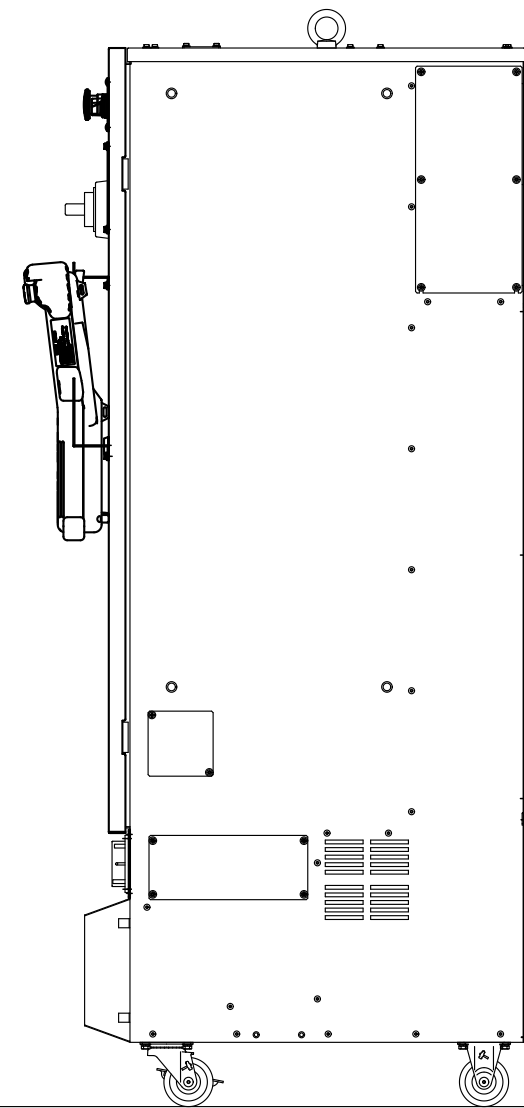
MASS: 120Kg



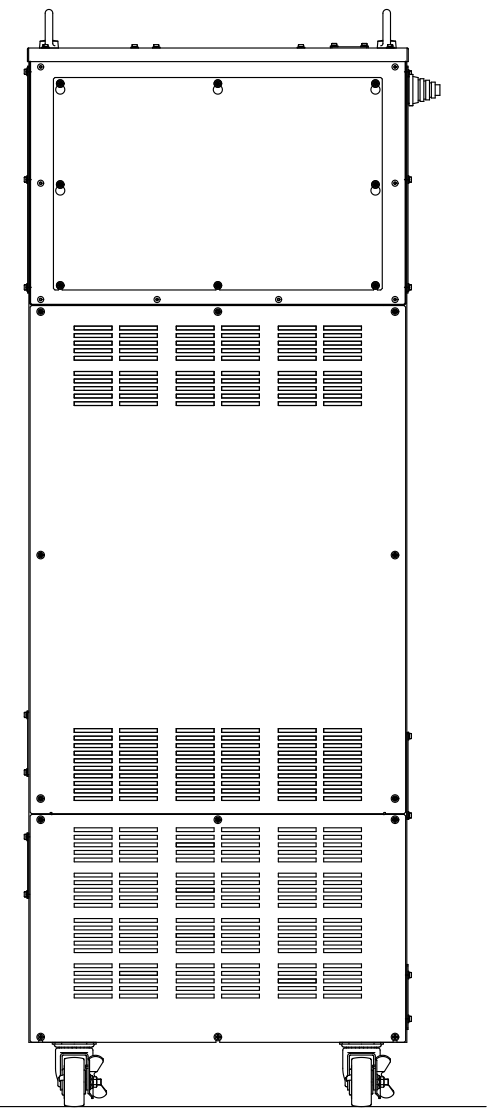
SIDE VIEW



FRONT VIEW



SIDE VIEW



REAR VIEW