

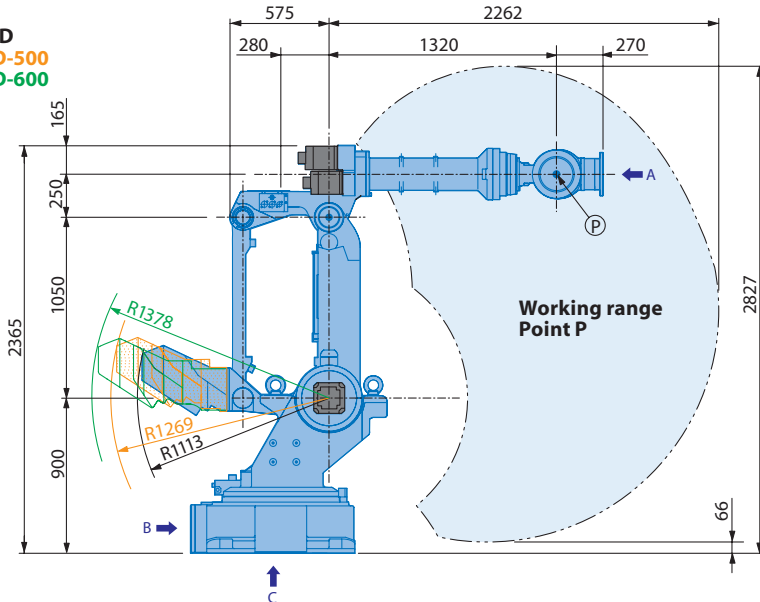
Controlled by
DX100



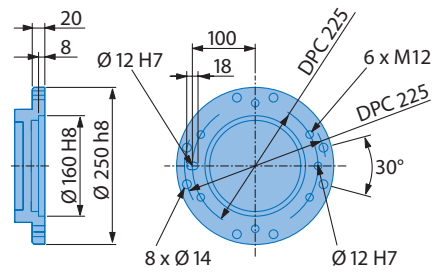
MOTOMAN UP-series



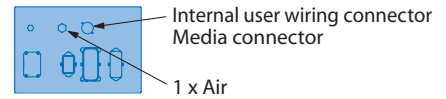
UP350-D
UP350D-500
UP350D-600



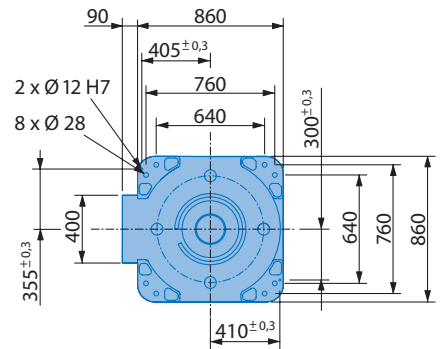
View A



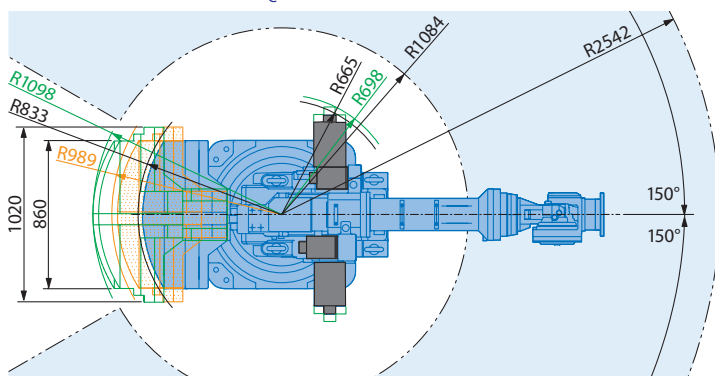
View B



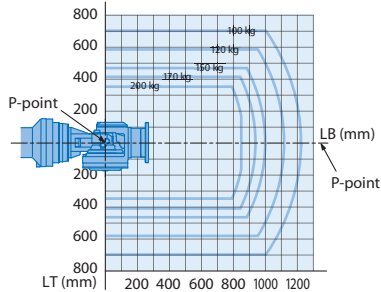
View C



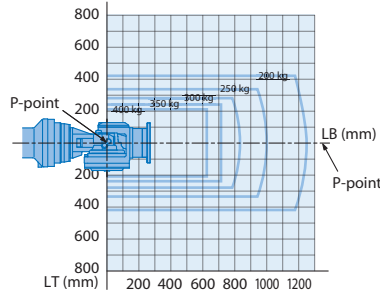
Mounting option: Floor



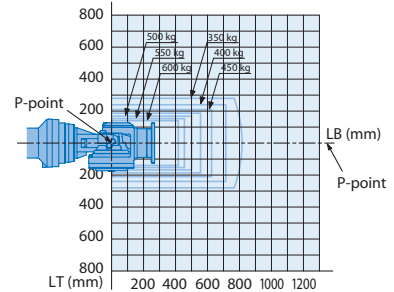
Allowable wrist load UP350D



Allowable wrist load UP350D-500



Allowable wrist load UP350D-600



All dimensions in mm | Technical data may be subject to change without previous notice | Please request detailed drawings at robotics@yaskawa.eu.com - YR-UP0350D-B00, YR-UP0350D-B20, YR-UP0350D-B30, C-04-2014, A-No. 157151

Specifications UP350D / UP350D-500 / UP350D-600

* UP350D-500 **UP350-D-600

Axes	Maximum motion range [°]	Maximum speed [°/sec.]	Allowable moment [Nm]	Allowable moment of inertia [kg · m ²]	Controlled axes	
S	±150	95 / 80* / 60**	-	-	Max. payload [kg]	6 350 / 500* / 600**
L	+61/-55	95 / 80* / 70**	-	-	Repeat. pos. accuracy [mm]	±0.5
U	+30/-113	95 / 80* / 70**	-	-	Max. working range [mm]	R = 2542
R	±360	100 / 80**	1960 / 2450**	150 / 200**	Temperature [°C]	0 to +45
B	±125	100 / 80**	1960 / 2450**	150 / 200**	Humidity [%]	20 - 80
T	±360	160	823	90 / 50* / 50**	Weight [kg]	2200 / 2300* / 2400**
					Power supply, average [KVA]	10 / 13**



YASKAWA
Headquarters

YASKAWA Europe GmbH
Robotics Division
Yaskawastraße 1
D-85391 Allershausen
Tel. +49 (0) 81 66/90-0
Fax +49 (0) 81 66/90-103
robotics@yaskawa.eu.com
www.yaskawa.eu.com

YASKAWA academy
and sales office
Frankfurt

YASKAWA Europe GmbH
Robotics Division
Hauptstraße 185
D-65760 Eschborn
Tel. +49 (0) 6196/77725-0
Fax +49 (0) 6196/77725-39
robotics@yaskawa.eu.com
www.yaskawa.eu.com