

*YS-series 4-axis SCARA robots are ideal for high-speed handling and assembly systems; same controller as other Motoman® robots allows easy integration*



# YSH850L



NXM100 CONTROLLER



PACKAGING

## FEATURES & OPTIONS

- 20 kg payload
- High-speed “pick-and-place” motion
- Compact, mid-size NXM100 controller
- Proven Yaskawa servo drives
- MotoSim® EG simulation software (optional)
- MotoSight 3D vision software (optional)

### **High-Speed SCARA Robots**

The YSH850L 4-axis, SCARA robots offer high speed in a compact form that requires minimal installation space. The YSH850L model features a reach of 850 mm, Z-axis stroke of 340 mm and 20 kg maximum payload.

The YS-series robots feature an IP20 rating and offer superior performance in applications such as assembly, part kitting, small part handling, case packing, lab automation, and magnetic media and semiconductor processing.

These robots easily integrate with existing robot applications to expand current automated processes. They are ideal for large, multi-process systems requiring pick-and-place capability.

YS-series robots feature the same NXM100 controller that is used with Motoman Robotics’ small six-axis robots (HP3M-series and HP6M-series).

### **NXM100 Controller**

The compact NXM100 controller easily fits underneath conveyors or the controller cabinets can be stacked to provide floorspace savings. The high-performance NXM100 controller

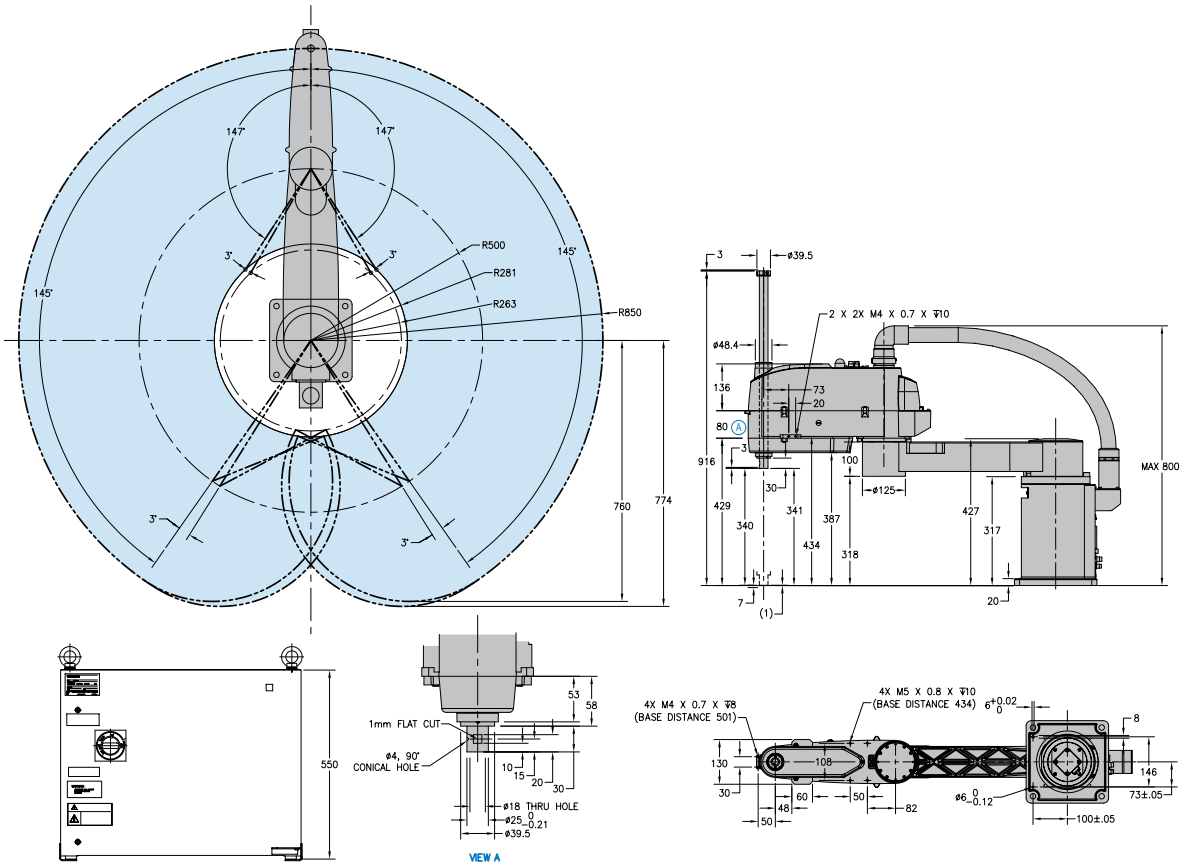
delivers all of the same features of the full-sized NX100 controller in a much smaller “mid-size” cabinet. The NXM100 provides patented multiple robot control capability (up to FOUR robots with one pendant), open communication, and integrated cell control. It has the ability to fit one optional external axis servo amplifier for seventh axis control.

The NXM100 robot controller features a Windows® CE programming pendant with color touch screen; easy-to-use INFORM III programming language; a robust PC architecture; and built-in Ethernet. The NXM100 includes four levels of password protection. All operator controls are located on the pendant, allowing the control cabinet to be mounted remotely.

The NXM100 controller also offers unmatched connectivity, highly flexible Fieldbus support, and easy connection to an information infrastructure through standard network options for DeviceNet, ControlNet, Profibus-DP, EtherNet/IP, and many others.

# YSH850L ROBOT

All dimensions are metric (mm) and for reference only. Please request detail drawings for all design/engineering requirements.



## YSH850L SPECIFICATIONS

<b>Reach</b>	850 mm (33.5")
<b>Environment</b>	Standard (IP20)
<b>Range of Motion</b>	S-Axis + L-Axis S-Axis (1st horizontal arm) ±145° L-Axis (2nd horizontal arm) ±147° U-Axis (upper/lower) 340 mm R-Axis (rotate) ±360°
<b>Axis Combination</b>	T1 + T2 + Z + R
<b>Payload</b>	5 kg (at max speed), 20 kg (at reduced speed)
<b>Maximum Speed</b>	S-Axis 240 °/s L-Axis 337.5 °/s U-Axis 1,100 mm/s R-Axis 1,428 °/s
<b>Repeatability</b>	S-Axis + L-Axis ±0.025 mm U-Axis ±0.01 mm R-Axis ±0.03°
<b>Max. Pressure</b>	200 N (20.4 kgf)
<b>Allowable Moment of Inertia</b>	0.02 kg · m <sup>2</sup> (rated), 0.45 kg · m <sup>2</sup> (max)
<b>Position Detection</b>	Absolute encoder
<b>Air Supply</b>	(2) 6 mm, (1) 4 mm
<b>Mass</b>	37 kg (81.6 lb.)

NOTE: Actual maximum speed and moment of inertia may vary depending on actual payload.

## NXM100 CONTROLLER SPECIFICATIONS\*

<b>Structure</b>	Free-standing, enclosed type
<b>Dimensions (mm)</b>	700 (w) x 550 (h) x 650 (d) (27.6" x 21.7" x 25.6")
<b>Approximate Mass</b>	70 kg (154 lbs.)
<b>Cooling System</b>	Indirect cooling
<b>Ambient Temperature</b>	During operation: 0° C (32° F) to 45° C (113° F) During transit and storage: -10° C (14° F) to +60° C (140° F)
<b>Relative Humidity</b>	90% max. non-condensing
<b>Primary Power Requirements</b>	3-phase, 200/220 VAC(+10% to -15%) at 50/60 Hz
<b>Grounding</b>	Grounding resistance: ≤100 ohms Separate ground required
<b>Digital I/O</b>	Standard I/O: 40 inputs/40 outputs consisting of 16 system inputs/16 system outputs, 24 user inputs/24 user outputs Enabled to 1,024 inputs/1,024 outputs
<b>Position Feedback</b>	Absolute encoder
<b>Drive Units</b>	Servo packs for AC servo motors
<b>Accel/Decel</b>	Software servo control
<b>Program Memory</b>	60,000 steps and 10,000 instructions
<b>Pendant Dim. (mm)</b>	199 (w) x 338 (h) x 60 (d) (7.8" x 13.3" x 2.4")
<b>Pendant Playback Buttons</b>	Teach, Play, Remote, Servo On, Start, Hold, Emergency Stop, Edit Lock (Play Mode Enabled on Controller)
<b>Concurrent I/O Ladder</b>	10,000 Instructions, 60,000 Steps
<b>Multi Tasking</b>	Up to 8 concurrent jobs
<b>Fieldbus</b>	DeviceNet Master/Slave, AB RIO, Profibus, Interbus-S, M-Net, CC Link, EtherNet IP/Slave
<b>Ethernet</b>	10 Base T/100 Base TX
<b>E-Stop</b>	Controlled stop
<b>Safety</b>	Dual-channel Emergency Stop Pushbuttons, 3-position Enable Switch built into pendant, Manual Brake Release (U-Axis Only) Meets ANSI/RIA R15.06-1999 safety standard

\*See NXM100 Controller data sheet (DS-305) for complete specifications

www.motoman.com

MOTOMAN ROBOTICS  
100 AUTOMATION WAY, MIAMISBURG, OHIO 45342  
TEL: 937.847.6200 ■ FAX: 937.847.6277

**YASKAWA**  
MOTOMAN ROBOTICS

TECHNICAL SPECIFICATIONS SUBJECT TO CHANGE WITHOUT NOTICE  
DS-331-H ©2011 YASKAWA AMERICA, INC. JUNE 2011

MOTOMAN IS A REGISTERED TRADEMARK  
WINDOWS IS A REGISTERED TRADEMARK OF MICROSOFT  
ALL OTHER MARKS ARE THE TRADEMARKS AND  
REGISTERED TRADEMARKS OF YASKAWA AMERICA, INC.